

MR-1000R

(10-inch CRT, Radome Scanner)

MR-1000T

(10-inch CRT, Open Array Scanner)



● 10-inch Display unit for MR-1000R and MR-1000T

*High Resolution
Over Long Ranges —
Only Icom Offers
This Quality*

- Powerful 4kW output power
- Two types of scanner units are available
 - MR-1000T : 120cm open array scanner
observes up to 48nm
 - MR-1000R : 60cm radome scanner
observes up to 36nm
- Bright 8-level picture on 10-inch monochrome green CRT
- Multiple language indication
(English, Korean, Spanish and Portuguese)*
* Selectable languages depend on version
- External GPS and Compass data input with NMEA0183, N+1, AUX format



● Open Array Scanner for MR-1000T



● Radome Scanner for MR-1000R

OTHER FEATURES

- The MR-1000R/MR-1000T provides many useful features :2 EBL's, 2 VRM's, SEA clutter, RAIN clutter, Off center, Interference reduction, Noise reduction, Echo stretch, Zoom, Trail and long pulse function.
- When connected to the GPS and/or compass, the MR-1000R/MR-1000T displays the following information: Course-up, North-up, True motion indication, own and other vessel's speed, position and course, waypoint and man overboard point.

- Power save function pauses the scanning for preset time and conserves battery consumption. When used with the zone alarm function, the CRT display is turned off until an object enters the programmed alarm zone.
- Electronic Plotting Aid (EPA) helps to plot and trace up to 10 targets and forecast the courses with these vectors on the display.

SPECIFICATIONS

DISPLAY UNIT

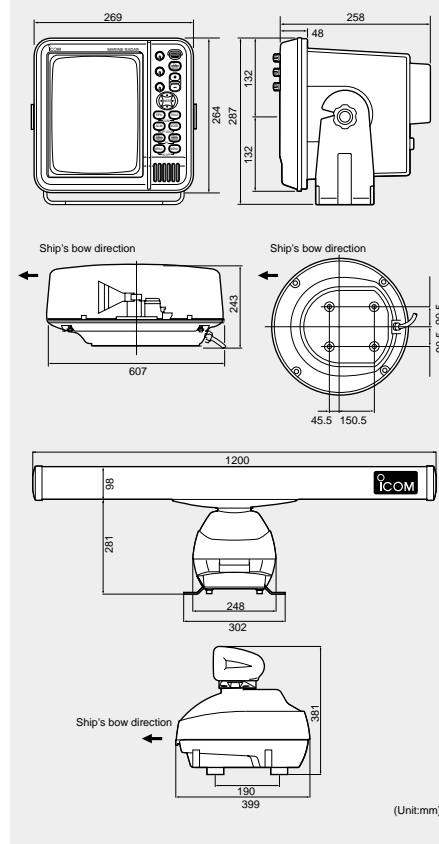
- Display type : 10" monochrome CRT
- Resolution : 640x480 dots
- Minimum range : 25m
- Maximum range :
 - MR-1000R 36NM
 - MR-1000T 48NM
- Measurement range: 1/8, 1/4, 1/2, 3/4, 1, 1.5, 2, 3, 4, 6, 8, 12, 16, 24, 32, 36, 48
- Preheat time : 90sec.
- Power supply : 10.2-42V DC
- Power consumption :
 - MR-1000R 50W (approx.)
 - MR-1000T 60W (approx.)
- Operating temp. range : -15°C to +55°C
- Unit of distance : NM (nautical mile), km
- Dimensions : 269(W)x264(H)x258(D) mm (projections not included)
- Weight (approx.) : 6.5kg
- Input data format : NMEA 0183, N+1, AUX

SCANNER UNIT

- | | | |
|-------------------------------|--|--|
| • Model Name | MR-1000R | MR-1000T |
| • Type | 60cm slotted waveguide array in radome | 120cm slotted waveguide array |
| • Rotation speed | 24/36/48rpm typ. | 24/36/48rpm typ. |
| • Beamwidth | Horizontal beam : 4° typ.
Vertical beam : 22° typ. | 2° typ.
25° typ. |
| • Sidelobe | -18dB typ. | -24dB typ. |
| • Polarization | Horizontal | Horizontal |
| • Dimensions | 607(Ø)x243(H) mm (projections not included) | 1205(d)x381(H) mm |
| • Weight (approx.) | 9kg | 17kg |
| • Operating temperature range | -25°C to +70°C | -25°C to +70°C |
| • Frequency | 9410MHz ±30MHz | 9410MHz ±30MHz |
| • Peak output power | 4kW | 4kW |
| • Pulse-width/Reception rate | 80nsec./2880Hz, 80nsec./2160Hz, 250nsec./2160Hz, 350nsec./2160Hz, 900nsec./720Hz | 80nsec./2880Hz, 80nsec./2160Hz, 250nsec./2160Hz, 350nsec./2160Hz, 900nsec./720Hz |
| • Modulator | FET switching | FET switching |
| • Mixer and local oscillator | Microwave integrated circuit | Microwave integrated circuit |
| • Intermediate frequency | 60MHz | 60MHz |
| • IF passband width | 10MHz, 3MHz | 10MHz, 3MHz |
| • Tuning | Auto or manual | Auto or manual |
| • System cable | 10m (32.8ft) | 15m (49.2ft) |

All stated specifications are subject to change without notice or obligation.

DIMENSIONS



OPTIONS



OPC-1077

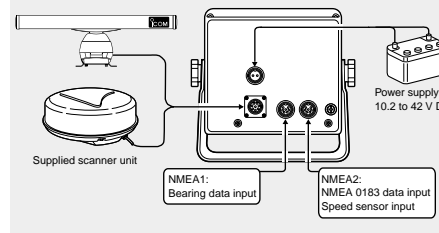
OPC-1077 SYSTEM CABLE

Allows you 20m (65.6ft) separate installation between the display unit and the scanner unit.

OPC-1078 SYSTEM CABLE

Allows you 30m (98.4ft) separate installation between the display unit and the scanner unit.

SYSTEM CONNECTION



Icom Inc.

1-1-32, Kamiminami, Hirano-ku, Osaka 547-0003, Japan Phone: 06 6793 5202 Fax: 06 6793 0013 URL: <http://www.icom.co.jp/world/index.html>

Count on us!

Icom America Inc.

<Corporate Headquarters>
2380 116th Avenue N.E., Bellevue, WA 98004, U.S.A.
Phone: (425) 454-8155 Fax: (425) 454-1509
URL : <http://www.icomamerica.com>
<Customer Service> Phone : (425) 454-7619

Icom Canada

Glenwood Centre #150-6165 Highway 17,
Delta, B.C., V4K 5B8, Canada
Phone: (604) 952-4266 Fax: (604) 952-0090
URL : <http://www.icomcanada.com>

Icom (Australia) Pty. Ltd.

A.B.N. 88 006 092 575
290-294 Albert Street, Brunswick, Victoria, 3056, Australia
Phone: 03 9387 0666 Fax: 03 9387 0022
URL : <http://www.icom.net.au>

Icom New Zealand

146A Harris Road, East Tamaki, Auckland, New Zealand
Phone: 09 274 4062 Fax: 09 274 4708
URL : <http://www.icom.co.nz>

Icom (Europe) GmbH

Communication Equipment
Himmelgeister Str. 100, D-40225 Düsseldorf, Germany
Phone: 0211 346047 Fax: 0211 333639
URL : <http://www.icomeurope.com>

Icom Spain S.L.

Ctra. de Gracia a Manresa Km. 14,750
08190 Sant Cugat del Valles Barcelona, SPAIN
Phone: (93) 590 26 70 Fax: (93) 589 04 46
URL : <http://www.icomspain.com>

Icom (UK) Ltd.

Unit 9, Sea St., Herne Bay, Kent, CT6 8LD, U.K.
Phone: 01227 741741 Fax: 01227 741742
URL : <http://www.icomuk.co.uk>

Icom France S.a

Zac de la Plaine, Rue Brindejonc des Moulinais
BP 5804, 31505 Toulouse Cedex, France
Phone: 561 36 03 03 Fax: 561 36 03 00
URL : <http://www.icom-france.com>

Asia Icom Inc.

6F No. 68, Sec. 1 Cheng-Teh Road,
Taipei, Taiwan, R.O.C.
Phone: (02) 2559 1899 Fax: (02) 2559 1874
URL : <http://www.asia-icom.com>

Beijing Icom Ltd.

1305, Wanshang Plaza, Shijingshan Road,
Beijing, China
Phone: (010) 6866 6337 Fax: (010) 6866 3553

Your local distributor/dealer: